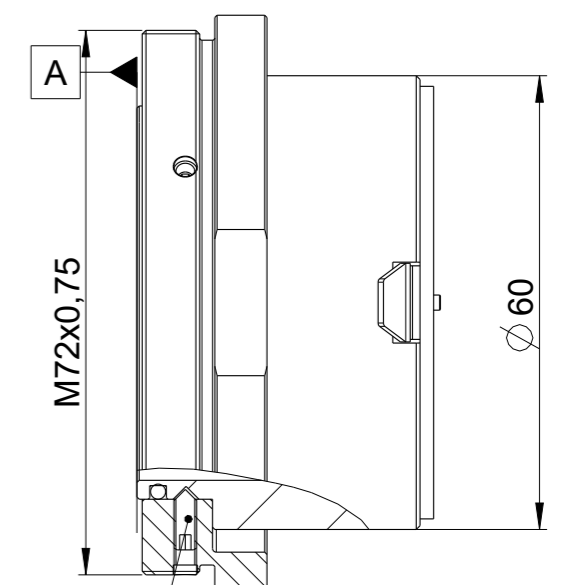
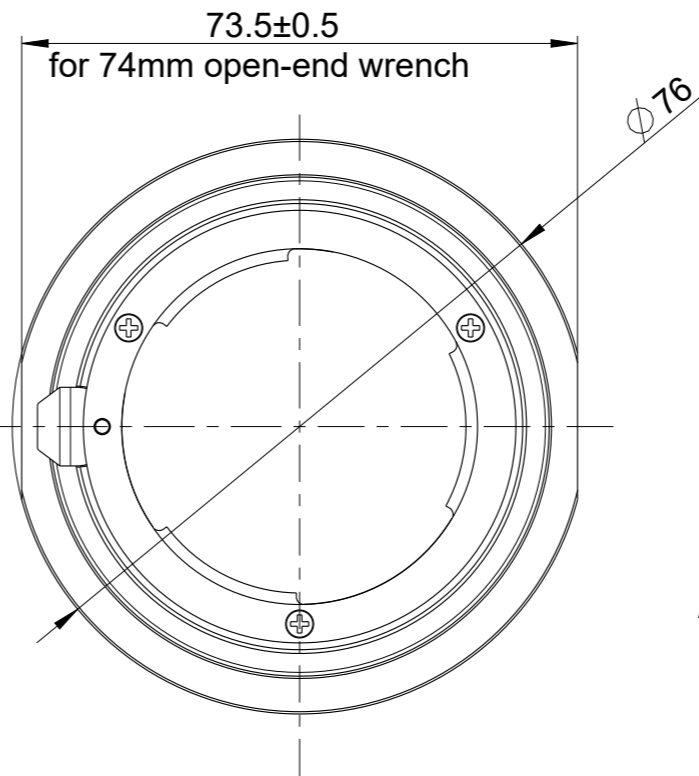
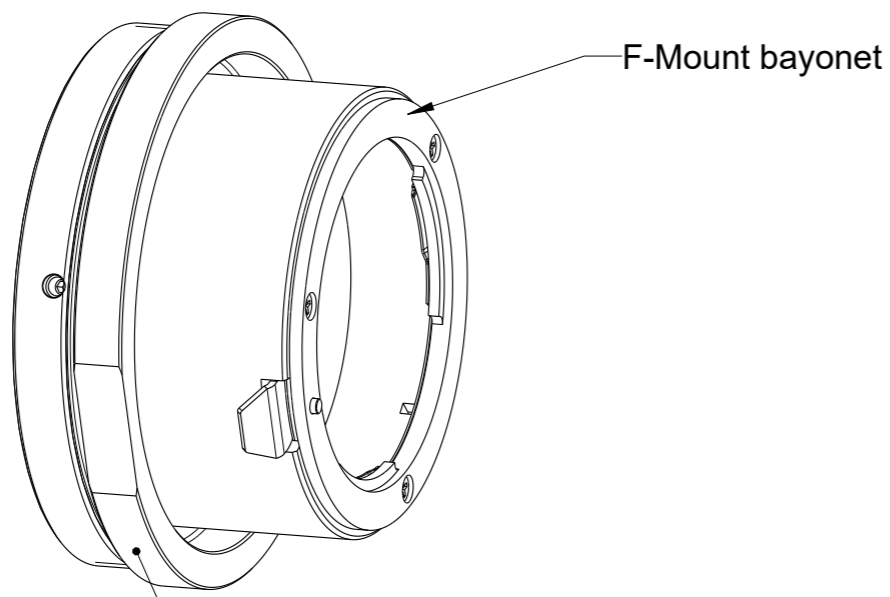


Y-Y
1:1



allPIXA evo Adapter
M72x0.75-D52

Fits to all allPIXA
cameras with
M72x0,75 Lens Mount:
e.g.
CP000498 allPIXA wave 10k
CP000590 allPIXA evo 10k
CP000620 allPIXA evo 8k & 10k

Hexagon Socket Set Screw
DIN914-M3x8
for optional Azimuth
adjustment

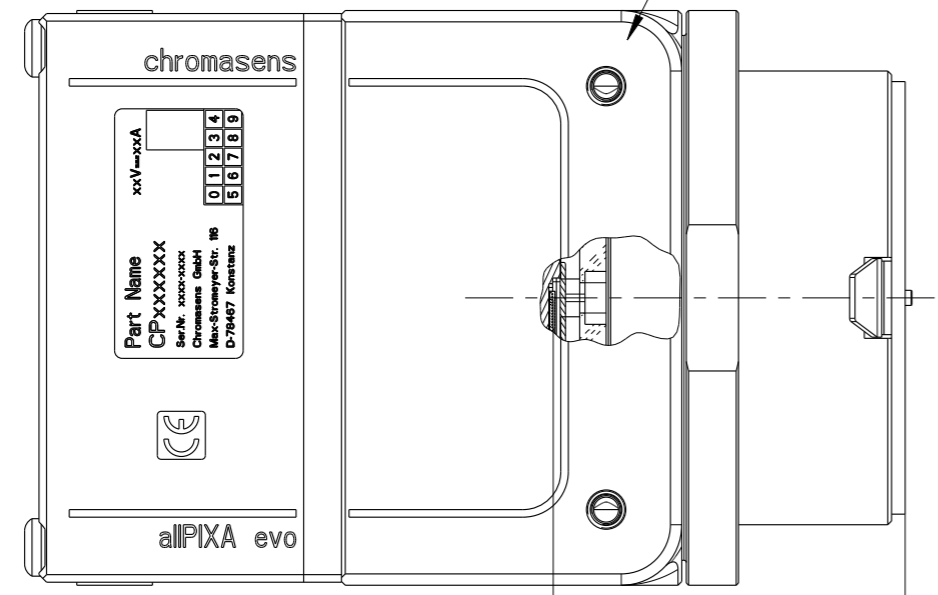


Image Plane
1)

46.5
F-Mount
Backfocus

Notes:
1) Sensor Glas of camera is included in design.
If needed, distance can be adjusted by using
shim washers (0.1 / 0.2mm).

| Rev. | Feld | Änderungsbeschreibung |
|------|------|--------------------------------------|
| 02 | B6 | Update for new F-Mount without shims |

| | | | | |
|-------------------------|-------------------------------|------------|-------------------|---|
| ISO 128 | Tol ISO 8015 DIN 2768 - mH | ISO 1302 | Masstab 1:1 | Creo4.0 |
| | | | BOM_CP000615 | |
| | | | Datum: 25.02.2021 | |
| | | | Name: Sulger | |
| | | | Gepr.: | |
| 03 | ECO_220455 | 26.01.2023 | Joggest | Chromasens GmbH |
| Zust | Mitteilung | Datum | Name | Max-Stromeyerstr. 116 GER 78467 Konstanz |
| | | | | allPIXA evo F-Mount Adapter M72x0,75 |
| | | | | Blatt |
| | | | | 1 / 1 |
| CM060-B703-V10-C | | | | |