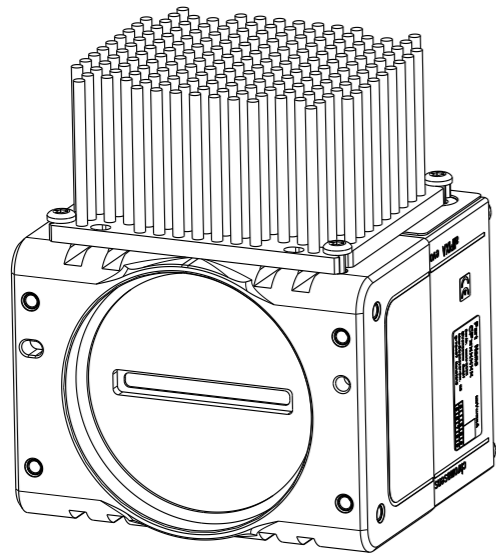
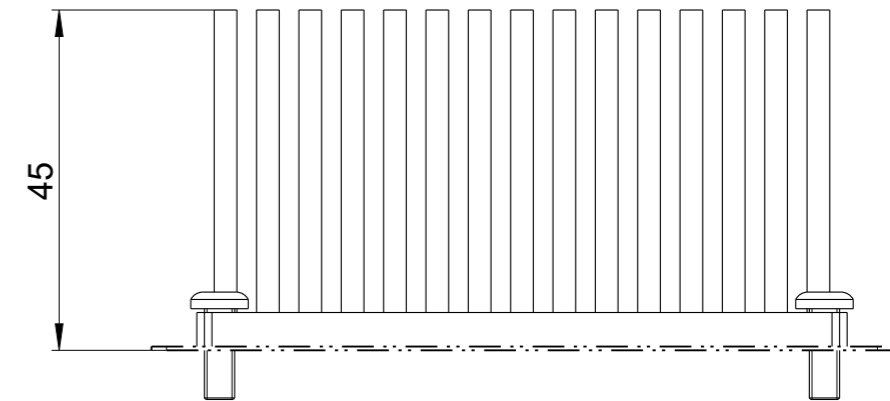


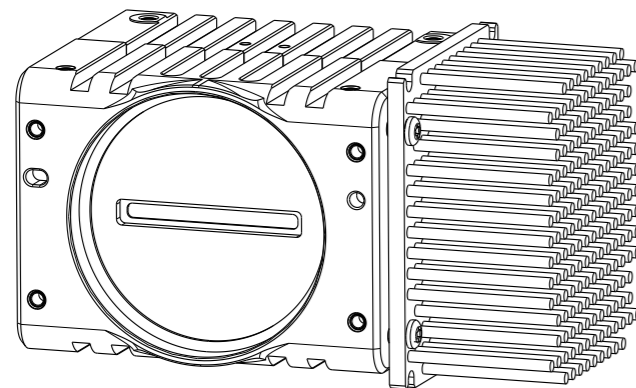
Options for 8K and 10K cameras:



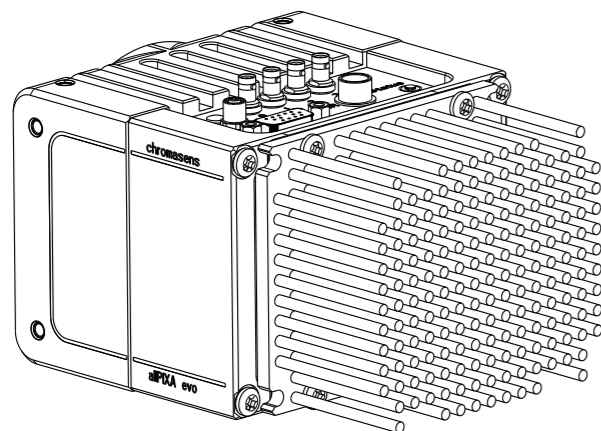
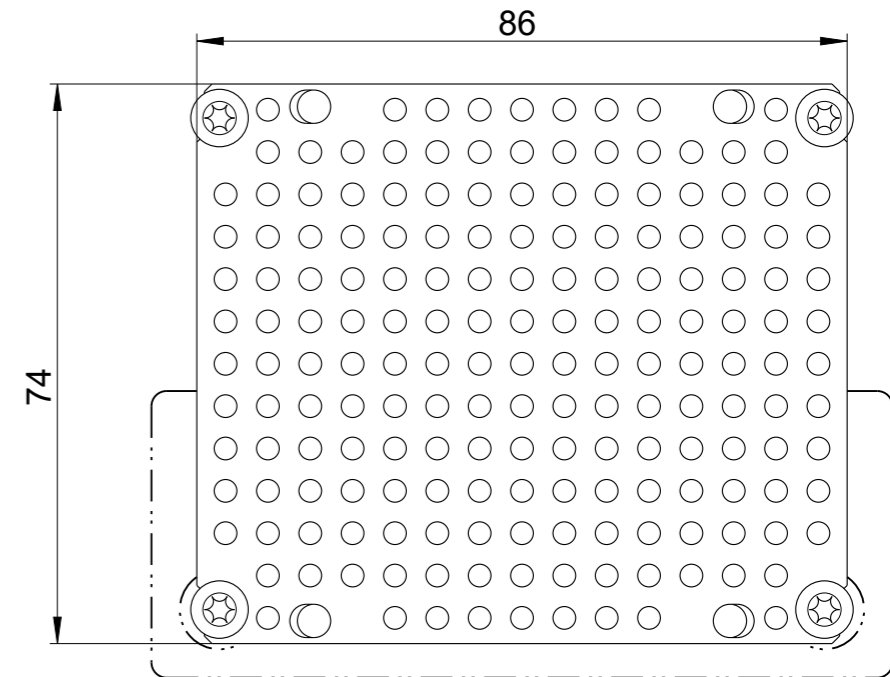
Option A:
Mounting on Top / Bottom Side:
Use of long thermal pad



Options for 8K, 10K, 15K and 16K cameras:



Option B:
Mounting on Right / Left Side:
No thermal pad



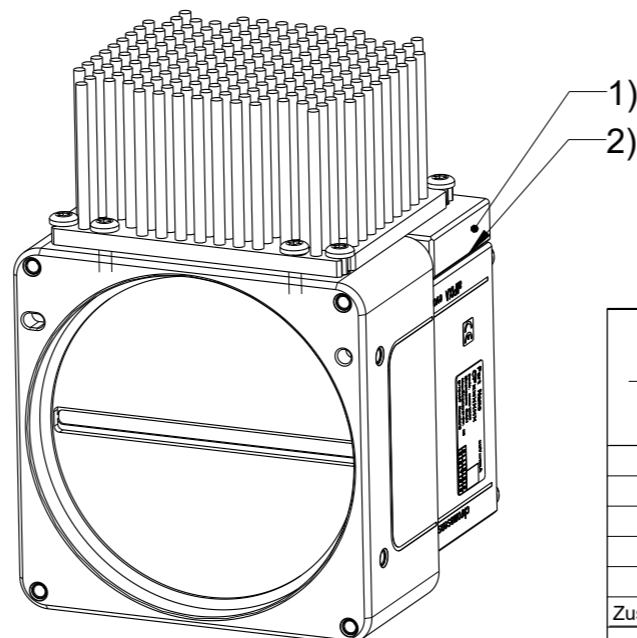
Option C:
Mounting on Rear Side:
Use of square thermal pad

All parts completed in plpasc bag.

Pos. 11 and Pos 12 are optional parts, depending on mounting side

Options for 15K and 16K cameras:

Option D:
Mounting on Top/Bottom Side:
No thermal pad
Use of camera accessoires:
1) Rear Thermal Block
2) Long Thermal Pad



ISO 128		Tol ISO 8015 DIN 2768 - mH		ISO 1302		Massstab 1:1		Creo4.0	
-		-		-		BOM_CP000643			
				Datum: 26.11.2021		allPIXA evo Pin Cooling for CP000620			
				Name: P.Sulger					
				Gepr.:					
-		-		-		Chromasens GmbH		Blatt	
Zust		Mitteilung		Datum		Name		Max-Stromeyerstr. 116 GER 78467 Konstanz	
								CM060-B700-V1-C	
								1 / 1	