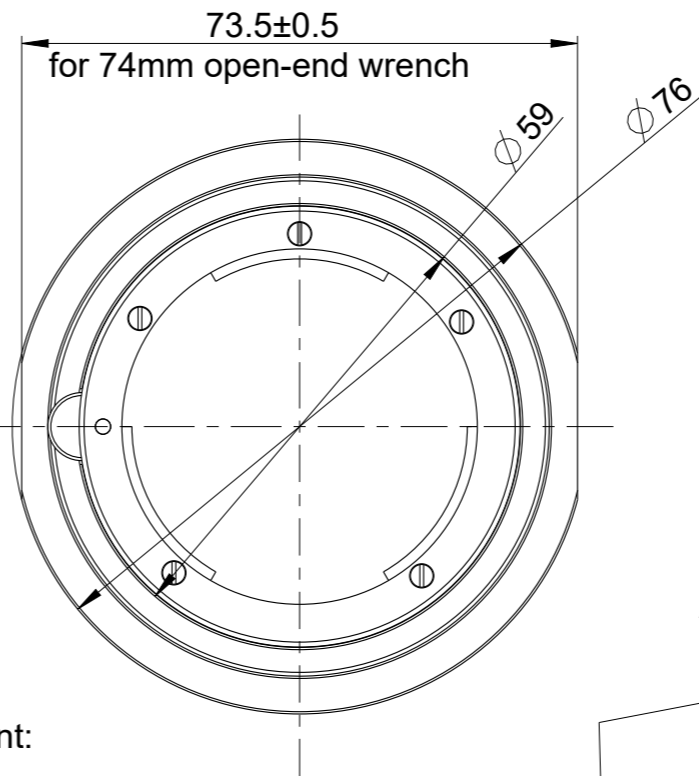
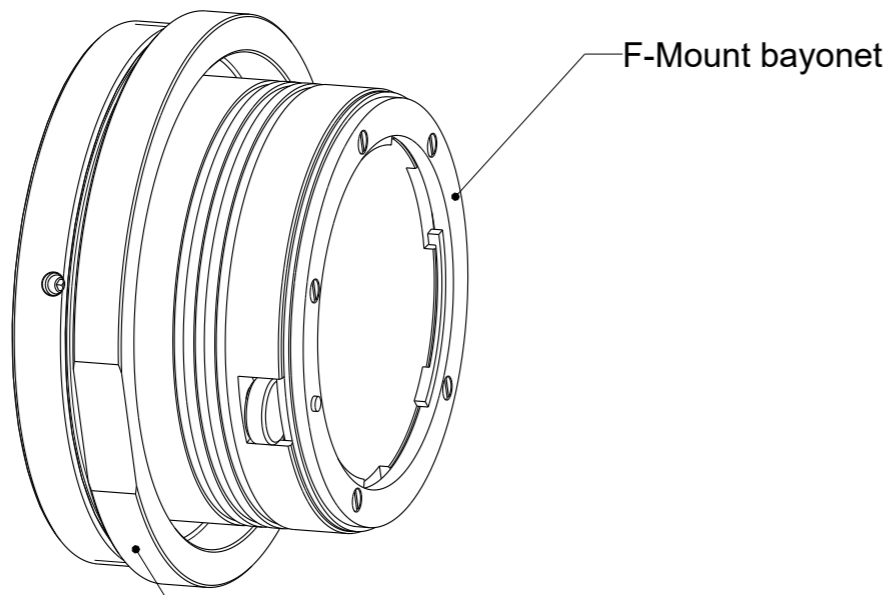
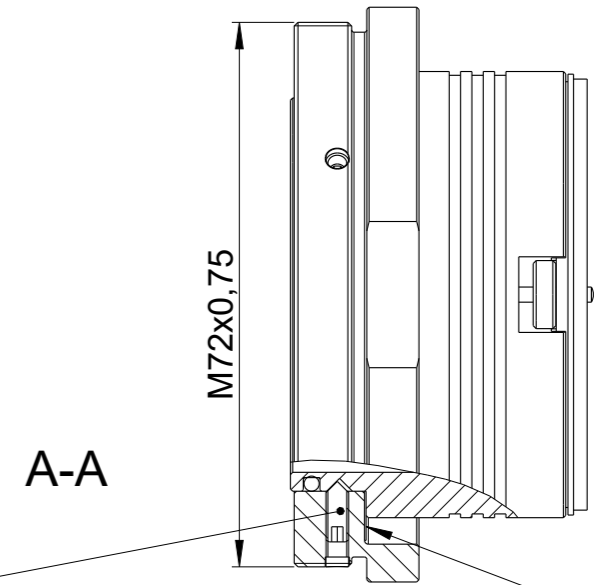


Y-Y
1:1

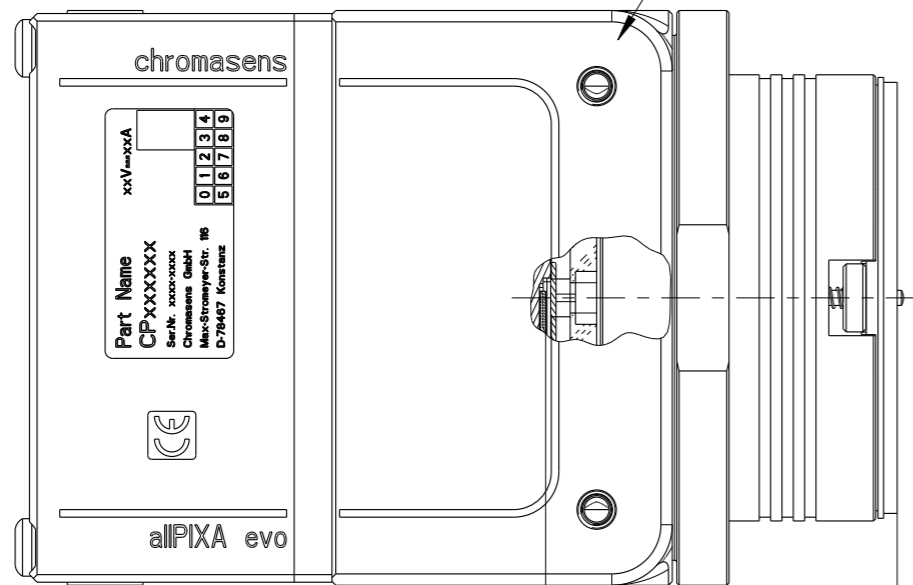


Fits to all allPIXA cameras with M72x0,75 Lens Mount:
e.g.
allPIXA wave 10K
allPIXA evo 10K
allPIXA evo2 8K & 10K



Optional Backfocus Adjustment
by using shim washer
(Accessoire Package)

Hexagon Socket Set Screw
DIN914-M3x8
for optional Azimuth
adjustment



Notes:
1) Sensor Glas of camera is included in design.
If needed, distance can be adjusted by using
attached shim washers (0.1 / 0.2mm).

ISO 128		Tol ISO 8015 DIN 2768 - mH		ISO 1302		Massstab 1:1		Crea4.0	
BOM_CP000615		Datum: 25.02.2021		Name: Sulger		allPIXA evo F-Mount Adapter M72x0,75		Blatt	
		Gepr.:							
01	00M0000	25.02.2021	P.Slg	Chromasens GmbH		CM060-B703-V10-C		1 / 1	
Zust	Mitteilung	Datum	Name	Max-Stromeyerstr. 116 GER 78467 Konstanz					