



ANALOG CABLES

PART NUMBER REFERENCE



Select Connector Type: 1-8 End "1"

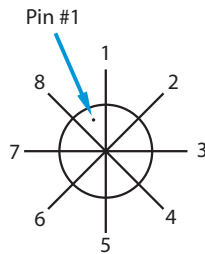
Gender, Body and Pin Count
(from page 15) End "1"

Connector Orientation:

See example at right

- Straight = 0
- Right Angle 360° = 1 *
- Right Angle 45° = 2 *
- Right Angle 90° = 3
- Right Angle 135° = 4
- Right Angle 180° = 5 *
- Right Angle 225° = 6 *
- Right Angle 270° = 7
- Right Angle 315° = 8

* PLEASE NOTE: Right Angle orientations are available for connector types: 1, 2, 5 & 6



Example: Right Angle orientation #3 (90°)



Cable Type Option:

- 24 AWG x 12C (I/O) = 1 *
- ULTRAFLEX (Video) = 2 *
- 28 AWG x 6C (I/O) = 3 *
- 26 AWG x 8C (I/O) = 4 *

Select Connector Type: 1-8 End "2"

Gender, Body, and Pin Count
(from page 15) End "2"

X on End "2" denotes flying leads

Option: Length in Meters

* PLEASE NOTE: Cable type 1 is ONLY available for flying leads. Customer specified pin out for flying leads only.

Physical:

- Cable Color: Black
- Shell Color: Black
- Shell Construction: Pre-molded in Polyethelene, fully shielded and over-molded in black PVC.
- Cable Construction: Mini coaxial lines plus discrete wires for all standard RGB, HD and VD applications.

REV. D

CONNECTOR TYPE OPTIONS:

1



12 Pin Female Plug
HR10A-10P-12S*

2



12 Pin Male Plug
HR10A-10P-12P*

3



12 Pin Female Jack
HR10A-10J-12S*

4



12 Pin Male Jack
HR10A-10J-12P*

5



6 Pin Female Plug
HR10A-7P-6S*

6



6 Pin Male Plug
HR10A-7P-6P*

7



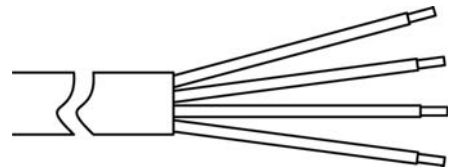
8 Pin Female Plug
HR25-7TP-8S*

8



8 Pin Male Plug
HR25-7TP-8P*

X

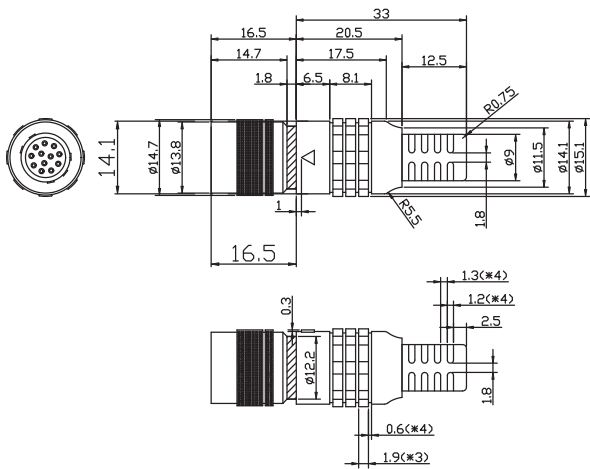


Flying Leads
for End "2"

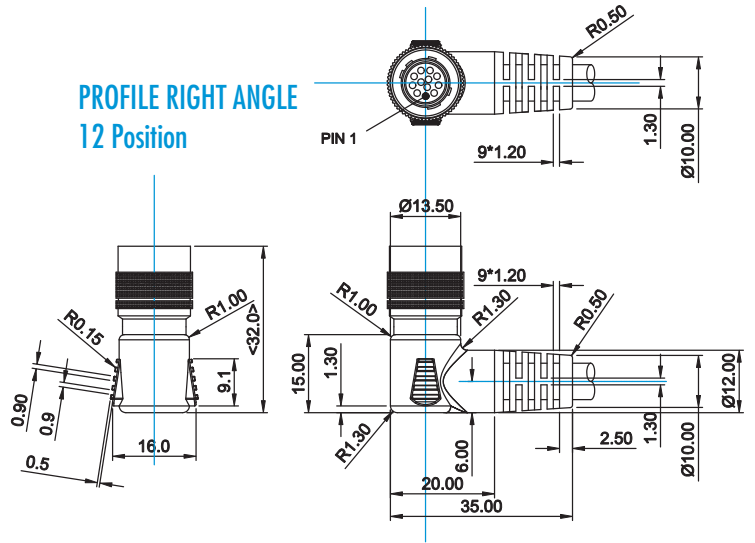
* Connector P/N is for reference only.

See page 16 for profile drawings.

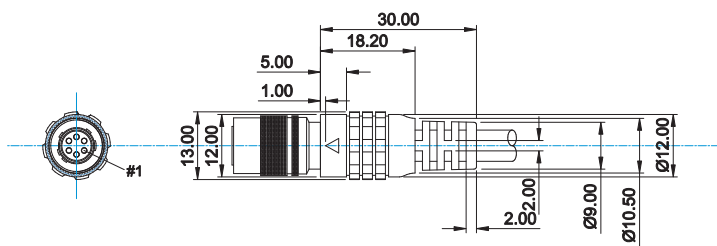
REV. D



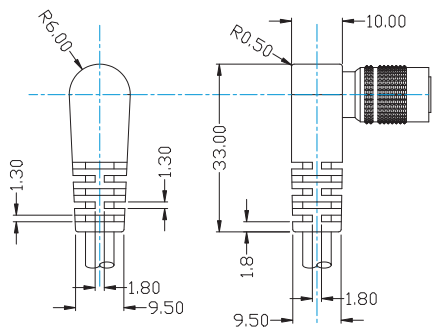
PROFILE 1, 2, 3 & 4



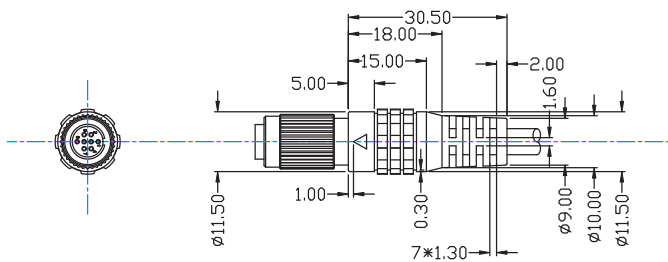
PROFILE RIGHT ANGLE
12 Position



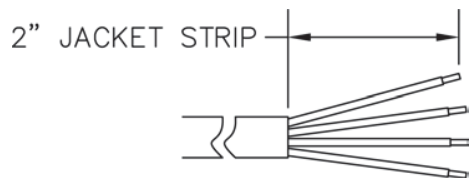
PROFILE 5 & 6



PROFILE RIGHT ANGLE
6 Position



PROFILE 7 & 8



PROFILE X